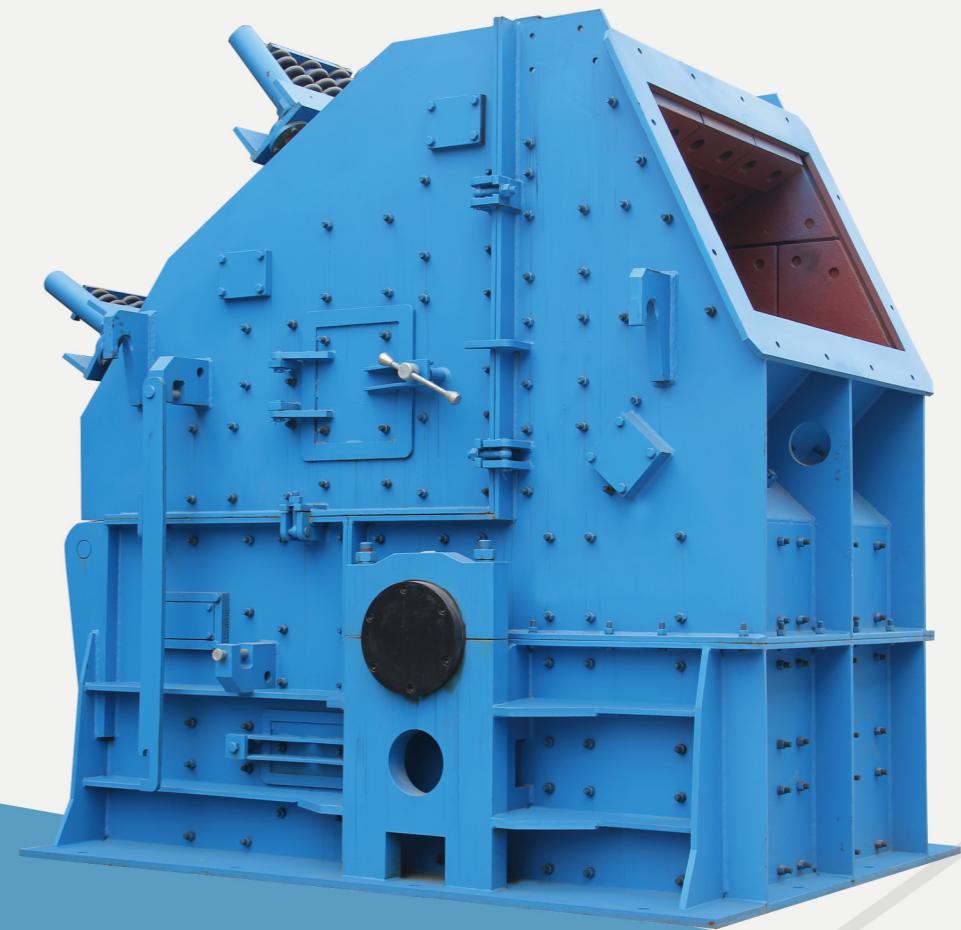


Profession creates brand



HC Series Impact Crusher

SINO-GERMAN JV HOLDING



Add: Zhengyuan Rd, Xinyang, Zhengzhou Henan 450100, China
Tel: +86 371 64628852
Fax: +86 371 64628872
Website: www.yfcrusher.com
E-mail: sales@yfmac.com

 **YIFAN**

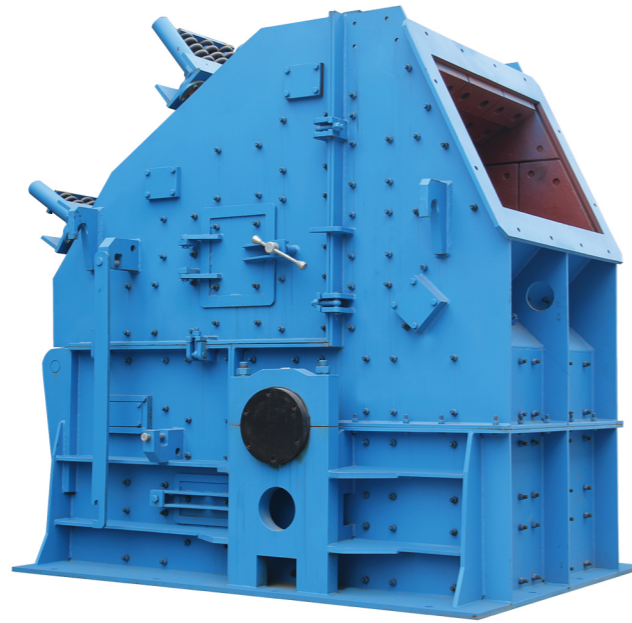
 **YIFAN**
一凡机械

HC Series Impact Crusher

HC Series Impact Crusher is built on advanced technology with a combination of domestic applications. More human-oriented with simple design and reasonable structure, bigger and better cavity, higher capacity.

HC Series Impact Crusher can crush kinds of soft and medium-hard ore, for coarse, medium and fine crushing, in primary and secondary crushing process. The series can be widely used in mining, construction, chemistry, cement.

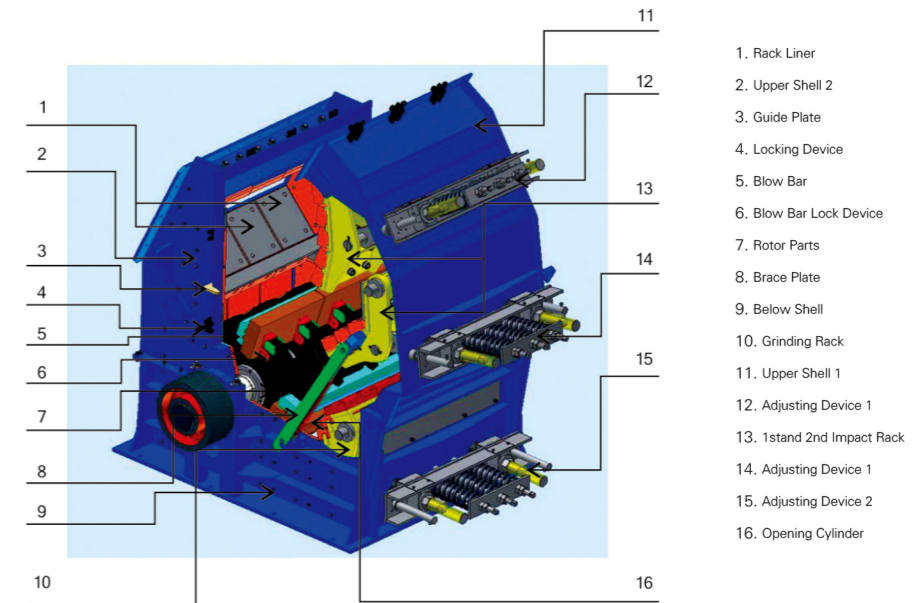
HCP series impact crusher is mainly used in primary crushing and it has features of big input size and high capacity and etc. HCS impact crusher is mainly used in secondary crushing and it has features of small product size and good shape and etc.



Features and Advantages for HC Series Impact Crusher:

- 1.High qualified raw material, less wear, high productivity under any circumstances. Top manufacturing process is the basis for extraordinary machine.
- 2.Strong product commonality can reduce cost. Two-cavity impact crusher can become three-cavity machine by adding grinding racks (A), and no need to change other parts.
- 3.Heavy type rotor, finite element endurance analysis, optimized design, reasonable structure and enhancing moment of inertia lead to bigger crushing ratio and better abrasion resistance.
- 4.Static and dynamic balancing test for the welding rotor should be done before assembling. To make sure the rotor have a smooth running and long working life.
- 5.Main shaft is finished by quality forging, adopts keyless design and world advanced cover tightening connection to ensure the reliable working and make the maintenance easier.
- 6.Unique locking device for hammers makes the tightening moment of force more safe and bigger. And the replacement of hammers can be more simple and convenient.
- 7.Standard design for liners increases the interchangeability, decreases the repertory and variety of liners.
- 8.Simple but practical locking device locks the shell 1 and shell 2 together. This device has an easy operation and saves locking time.
- 9.Unique hydraulic device design is convenient for opening the frame racks to replace wear parts and adjust the discharge size.
- 10.Simple adjustment of impact rack and grinding rack,not easy to damage,convenient maintenance and low cost.

Structure Drawing



HCP Technical Data

Model	Max Feed Edge(mm)	Capacity(t/h)	Motor Power(kw)	Weight (Excluding Motor)(t)	
				with grinding cavity	without grinding cavity
HCP239(A)	500	90-160	110-132	14.696	13.596
HCP255(A)	500	100-200	132-160	17.43	16.12
HCP359(A)	600	180-300	200-250	25.64	24.2
HCP459(A)	650	220-450	250-315	27.046	25.438
HCP579(A)	700	250-550	400-440	35.5	33.3
HCP679(A)	800	300-600	440-560	52.6	48.3
HCP779(A)	1000	500-850	630	84.1	78.9

HCS Technical Data

Model	Max Feed Edge(mm)	Capacity(t/h)	Motor Power(kw)	Weight (Excluding Motor)(t)	
				with grinding cavity	without grinding cavity
HCS128(A)	250	40-70	55-75	11.8	10.98
HCS139(A)	300	70-100	75-90	14.4	13.47
HCS239(A)	350	100-180	132-160	14.696	13.596
HCS255(A)	350	150-290	160-200	17.43	16.12
HCS359(A)	400	180-350	250-315	25.64	24.2
HCS459(A)	450	250-450	315-400	27.046	25.438
HCS579(A)	500	280-550	400-440	35.3	33.6
HCS679(A)	600	300-600	440-560	52.6	48.3
HCS779(A)	700	500-850	630	84.1	78.9

Note: The capacity is total tons per hour passing through crusher at open circuit when crushing medium and below hardness material and bulk density with $1.6 \times 10^3 \text{kg/m}^3$. Capacities are relative to physical character and type of feeding, feeding size and composition and so on.